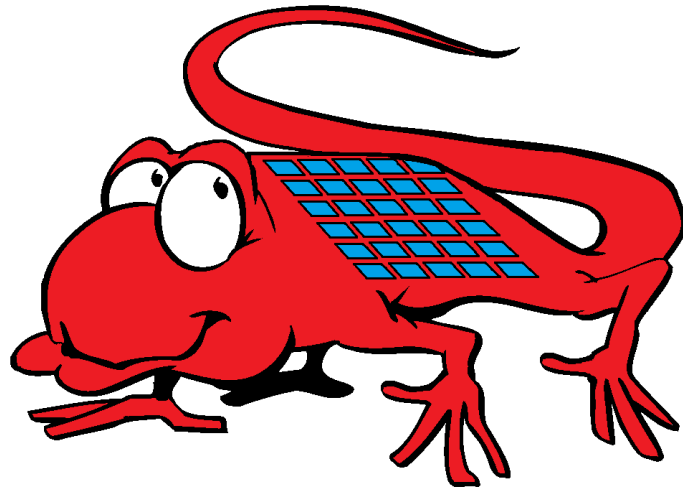


Lizard Portable Solar Kit



Shutdown Procedure

Daylight Power Company

Jim.dpc@bigpond.com

Patent Number 2012200426

Contents

Before You Start	1
Emergency Procedure	2
Contact Information	5
Company Information	5



Proudly made and manufactured in Australia using Australian Steel



Before You Start

Please **DO NOT** switch off the solar panel array isolator(s) while the pump is in operation. Follow the shutdown procedure as detailed.

⚠Warning

- Dangerous voltages are present under solar array(s) and inside control cabinet while pump unit is operating and the **sun is shining**
- Do not open control cabinet door until the system has been correctly shutdown and solar array(s) isolated - Shutdown Procedure (see pg2)

⚠Caution

When Closing Up Solar Array

- Take note of all hinges to avoid pinch points around edges of panels
- Avoid contact with solar panels as they become hot when operating
- Secure base skids using ground anchors or fixings to concrete slab(s)

⚠Extreme Weather Procedure

During the event of high wind or cyclonic conditions, array(s) can be secured following the Emergency Procedure (see pg2)

*After the adverse weather has passed, please visually inspect all solar panels for any signs of damage. If damage has occurred, please **DO NOT** touch the system, and contact North West Pumps & Power on one of the numbers in the contact section at the end of this document.*

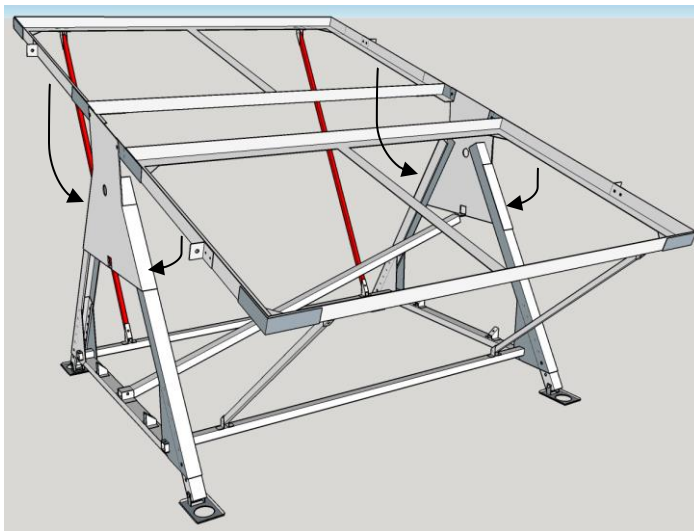


Emergency Procedure

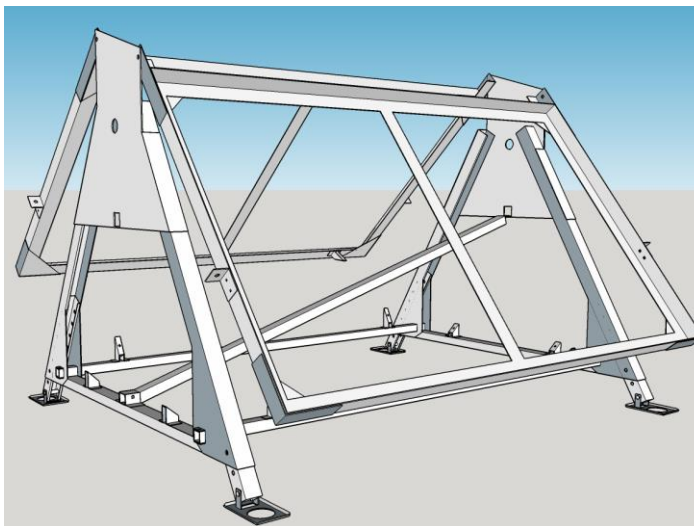
Please consult pump manufacturers documentation for shutdown procedure of their product before following these steps.

2 Panel Lizard Unit Securing Method

In the event of adverse weather, secure the Lizard Unit using the following steps. Electrical disconnection is not required.



Loosen all the hinge bolts on the Top and Bottom Solar Frames. Remove and store bolts holding the Bracing Struts in place. Once this is done, starting with the Top Solar Frame, lift the Solar Frame and remove the bracing Struts. Close the Solar Frame down against the A-frame, staying clear of all pinch points. Repeat this procedure with the Bottom Solar Frame.

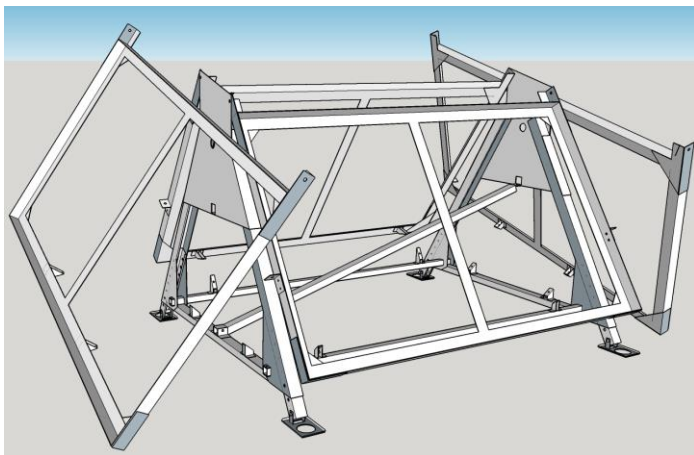
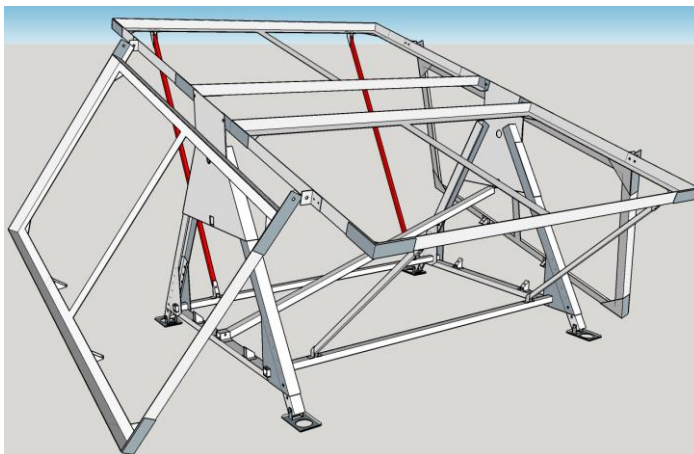
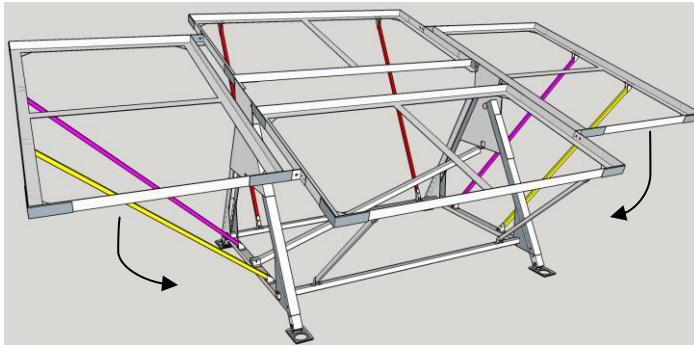


Once the Solar frames are closed against the sides of the Lizard A-frame, the unit should look like this. A strap or rope can be used to wrap around the system hold the panels in place.



4 Panel Lizard Unit Securing Method

In the event of adverse weather, secure the Lizard Unit using the following steps. Electrical disconnection is not required.



Loosen all hinge bolts for the Left and Right Wing Panels. Remove and store bolts holding the Struts in place. Once this is done, choose which panel you want to drop first, lift the Wing panel and remove the Bracing Struts. Staying clear of all pinch points, be aware of the solar DC cable location, lower the panel until it touches the ground or the side of the A-frame. Remove the hinge bolts and lean the Wing Panel against the Lizard Unit. Be sure to check the DC cable and make sure it is not pinched against the Lizard Frame. Repeat for the opposite side.

Next Follow the procedure for the 2 Panel Lizard to close the Top and Bottom Solar Frames down

Once this is done the Lizard Unit should look like this. At this stage, a strap or rope can be used to hold the Lizard Unit Solar Frames in place. Ensure no DC cables are pinched by the frames when strapping down.



After the adverse weather has passed, please visually inspect the panels for any signs of damage. If damage has occurred, please DO NOT touch the system, and contact North West Pumps & Power on one of the numbers provided below.



Contact Information

**Technical
Advisor**

Jim Lansky Junior
Mobile 0488 993 005

**Managing
Director**

Jim Lansky Senior
Mobile 0418 778 918

Company Information

Daylight Power Company

Jim.dpc@bigpond.com

Tel 07 4778 3285

[Website]

